

Giada



Giada F301

Fanless High-performance System with Intel® Mainstream Mobile CPU for Digital Signage



Features

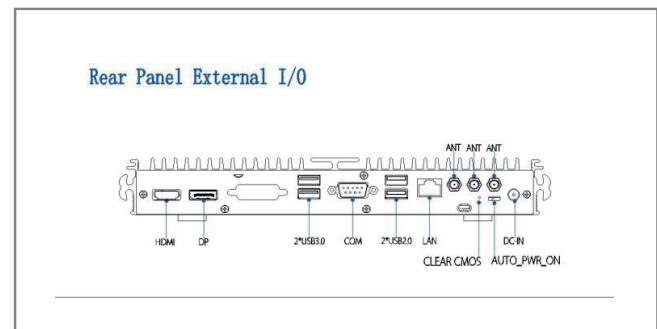
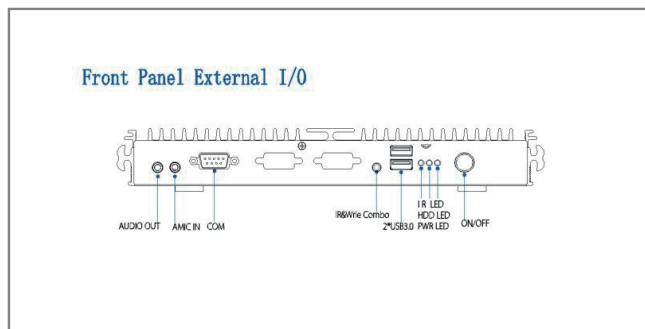
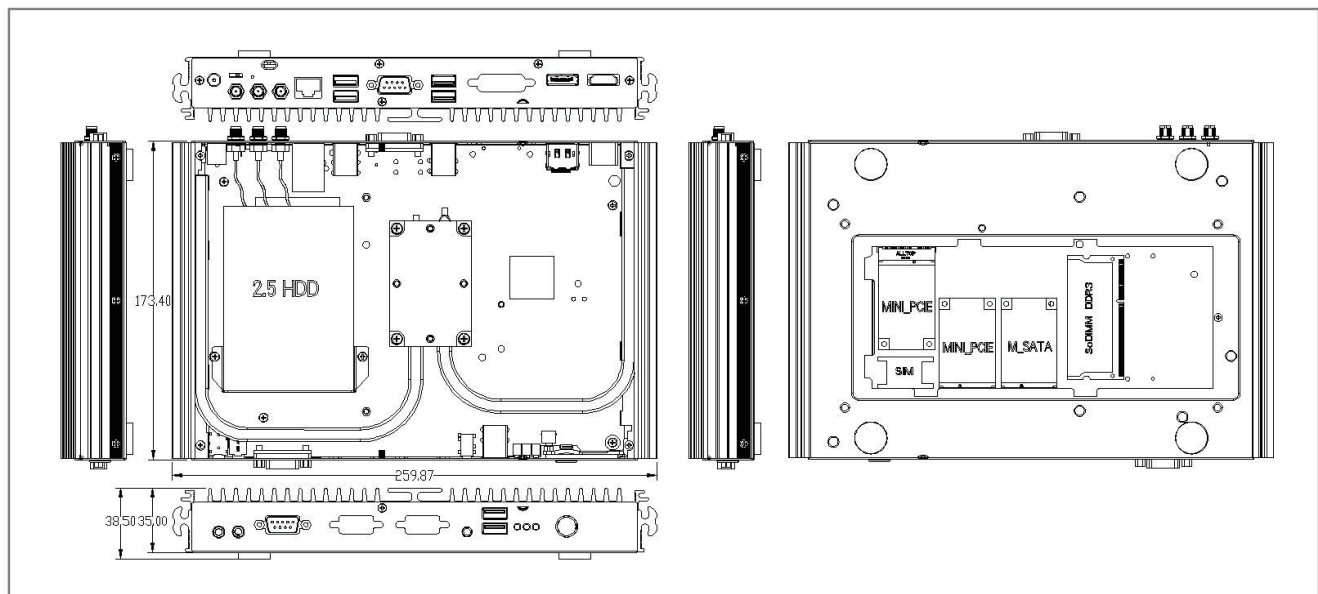
- Supports 5th Generation Intel® Core™ Processors
- Supports two independent displays
- 1 x 2.5" HDD, 1 x mSATAIII
- Supports 1 x Intel Gigabit LAN
- 4 x USB 3.0, 2 x USB2.0, 2 x COM

Specifications

RoHS CE FC CCC

		F301-B5000	F301-B3000
Processor System	CPU	Intel® Core™ i5-5200U Processor	Intel® Core™ i3-5010U Processor
	Frequency	2.2 GHz (Up to 2.7 GHz w/ Turbo Boost 2.0 enabled)	2.10 GHz
	L3 Cache	3M Cache	
Memory	BIOS	AMI EFI 64 Mbit	
	Type	DDR3L-1600MHz	
	Max. Capacity	16 GB	
Graphics	Socket	1 x 204-pin SO-DIMM	
	GPU	Integrated Intel® HD Graphics 5500	
	Graphic Engine	DirectX12, OpenGL4.0 and OpenCL 1.2	
Audio	DP	Max. 3840 x 2160@60Hz	
	HDMI	Max. 2560 x 1600@60Hz	
Ethernet	Controller	Realtek ALC662-VD0 1 x MIC-IN & SPDIF, 1 x AUDIO OUT	
I/O Interface	Controller	Intel I218LM, Gigabit Ethernet, Wake-on-LAN support	
	Serial Ports	2 x COM	
	USB Interface	4 x USB 3.0, 2 x USB 2.0	
Other	GPIO	N/A	
	Watchdog Timer	Patented JAHC unattended Technology	
Expansion	Mini PCIe #1	1 x full-length Mini-PCIe with mSATA support	
	Mini PCIe #2	1 x full-length Mini-PCIe, with 3G module support	
	Mini PCIe #3	1 x half-length Mini-PCIe, with Wi-Fi or BT module support	
Storage	2.5" Drive Bay	1 x 2.5" SATA drive bay (Max Height 7.5mm)	
	mSATA	1 x mSATAIII	
	TF Card	N/A	
OS Support	Microsoft Windows	Windows 7, Windows 8.1, Windows 10	
	Linux	Supported	
Power Requirement	Power Type	DC-IN	
	Power Adapter	19V 3.42A	
Mechanical	Construction	Metal	
	Mounting	Desk Mounting (Standard), VESA Mounting Kit (Optional)	
	Dimensions(W x H x D)	260 x 175 x 35 mm	
	Color	Black	

		F301-B5000	F301-B3000
Environment	Operating Temperature	0~40 C at 0.7m/s air flow	
	Storage Temperature	-20~60 C	
	Relative Humidity	95%@40 C (non-condensing)	
Regulation	EMC	CE/FCC Class B, CCC	
	Safety	CE/FCC LVD, CCC	



Order Information

Intel CPU	RAM	DP	HDMI	GbE	USB3.0	Audio	Mini-PCIe	2.5"HDD bay	Operating Temperature
F301-B5000 i5-5200U	up to 16 GB	1	1	1	4 USB3.0	MIC-IN LINE-OUT	1 Half-length 2 Full-length w/SIM	1	0 ~ 40° C
F301-B3000 i3-5010U					2 USB2.0				

Packing List

Part Number	Description	Part Number	Description
	1 x F301	-	1 x DVD
	1 x User Manual	-	1 x Power Adapter
	1 x AC power cable	-	

The product appearance, specifications and features are subject to change. Giada reserves the right of final interpretation for the content hereinabove.